







PRESSURE DISTRIBUTION SYSTEM - SUMMARY SHEET

320425-001-001-00

Lot 3

Septic Tank/Absorption Area

septic tank size 1000 gallons  
 daily flows ( 4-BR ) 480 gal per day  
 application rate 0.6 gal/sq.ft/day  
 required absorption area 810 square feet  
 trench VARIES length 36 feet  
 trench 36 width 150 inches

cover soil required depth 11 " volume 150 cy.  
 for sand-lined trenches or beds :  
 depth of sand \_\_\_\_\_ volume \_\_\_\_\_

Pressure Network

pump chamber size 1000 gallons  
 required pump capacity 34 gpm total dynamic head 18.0 ft  
 pump size BN152 make/model LOELLER (OR EQUAL)  
 dose volume 80 GAL (4) doses per day 6  
 transport pipe length 50.0 ft diameter 2 inch  
 feeder pipes total length 105.0 ft diameter 1/4 inch

pipe class/schedule : Heavy  
 transport pipe 40 manifold 40 laterals 40  
 lateral diameter 1 1/4 inch  
 orifice diameter 3/16 inch  
 residual head 3'-0"  
 residual pressure 1.31 PSI

ORIFICES ORIENTED AT 12:00 0'CLOCK POSITION

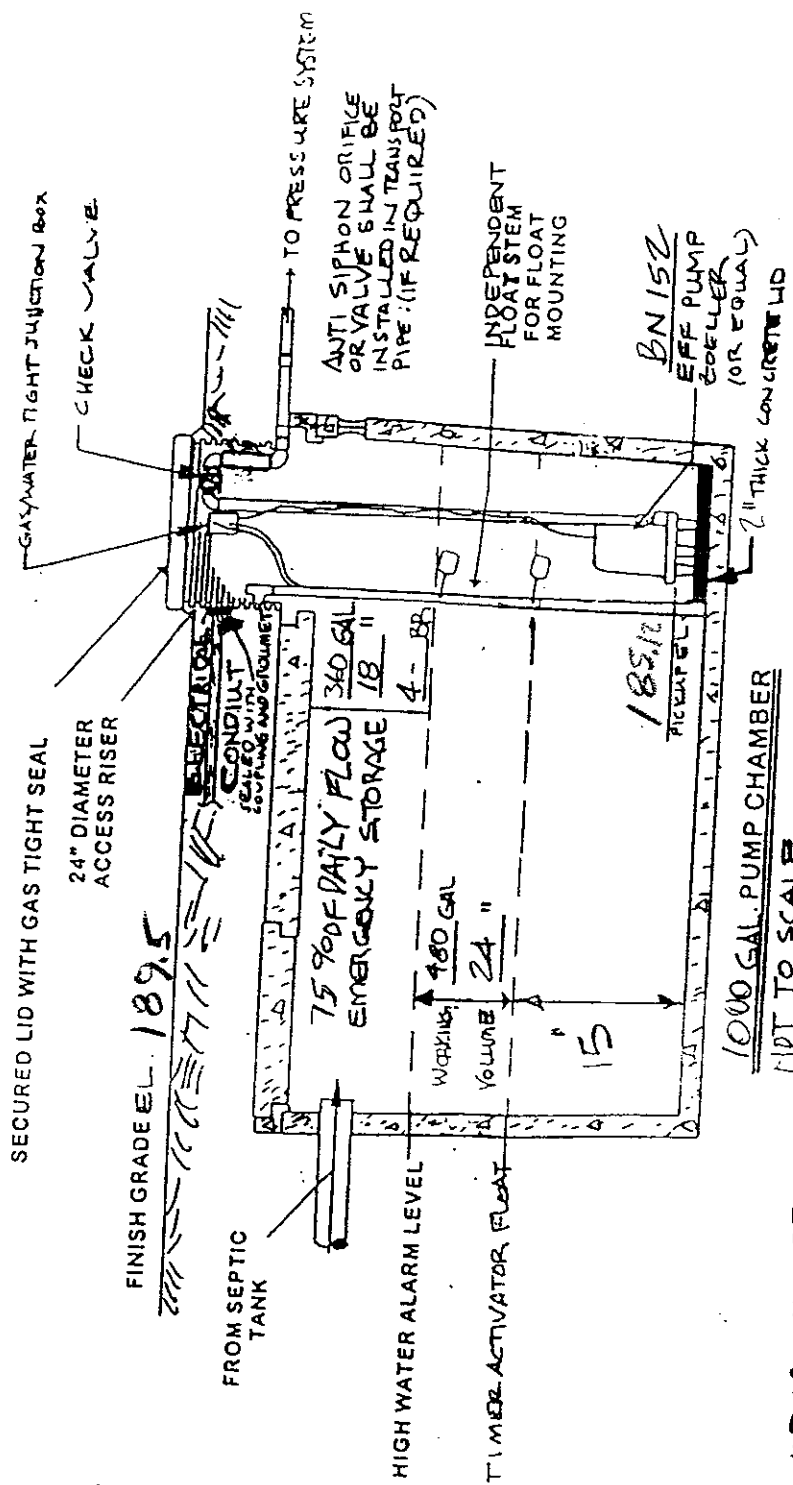
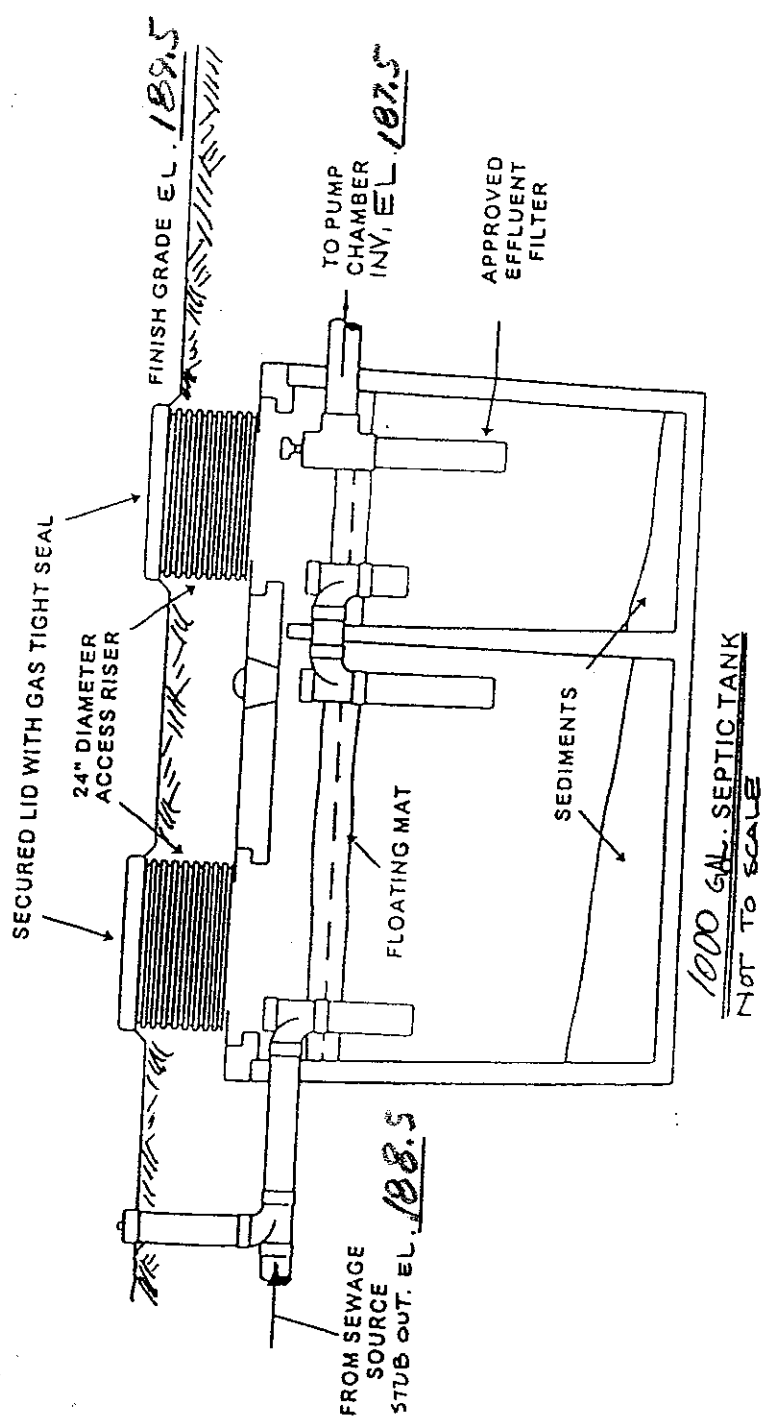
	lateral length	lateral elevation	orifice spacing	no. of orifices	Discharge Rates	
					lateral	orifice
#1 top line	60'-0"	189.5	6'-0"	10	7.20	0.72
#2	60'-0"	188.5	6'-0"	10	7.20	0.72
#3	60'-0"	188.0	6'-0"	10	7.20	0.72
#4	45'-0"	198.0	6'-0"	8	5.76	0.72
#5 Botl Line	45'-0"	187.0	6'-0"	8	5.76	0.72
#6						
#7						
#8 bot. line						

Excavation/Drainage from transport pipe and/or manifold to be controlled by :

BALL VALVES

*[Signature]*  
 DATE: 04 DEC 07  
 TERRY A. BROWN  
 LICENSED DESIGNER

04 DEC 07



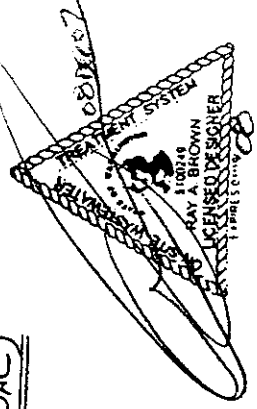
RHOMBUS TD123 TIMER (OR EQUAL)

4 :DOSES/DAY

80 GAL:DOSE

4 HOURS: OFF TIME

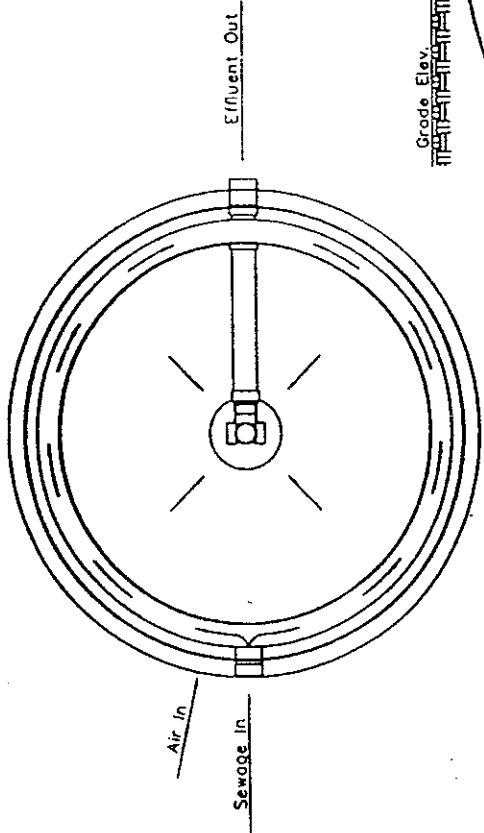
1/2 MINUTES: ON TIME



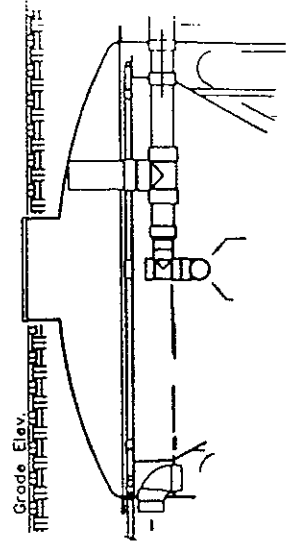
TANK DETAIL SHEET

SHEET 2 of 10

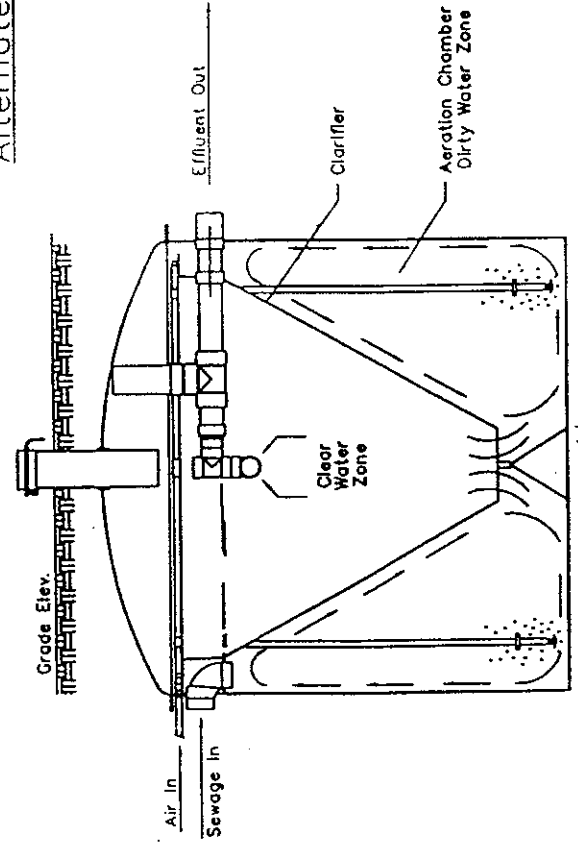
KEN SIEGEL  
320425-001-001-00  
"LOT 3"



Plan View  
(with cover removed)



Alternate Access Port



Section

SHEET 3 OF 10

DF 50  
WHITEWATER AEROBIC TREATMENT UNIT

Flow Diagram

KEN SIEGFRID

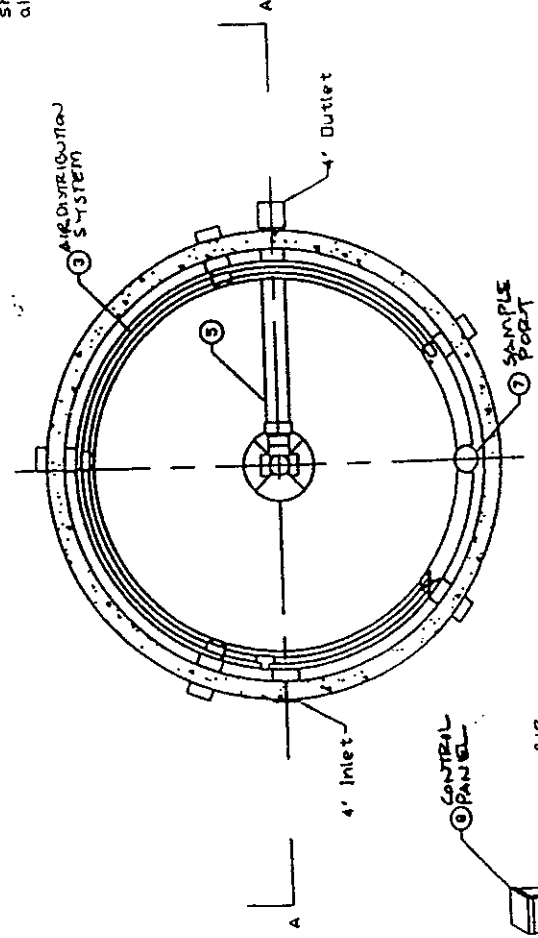
320425-0001-001-00

28 DEC 07

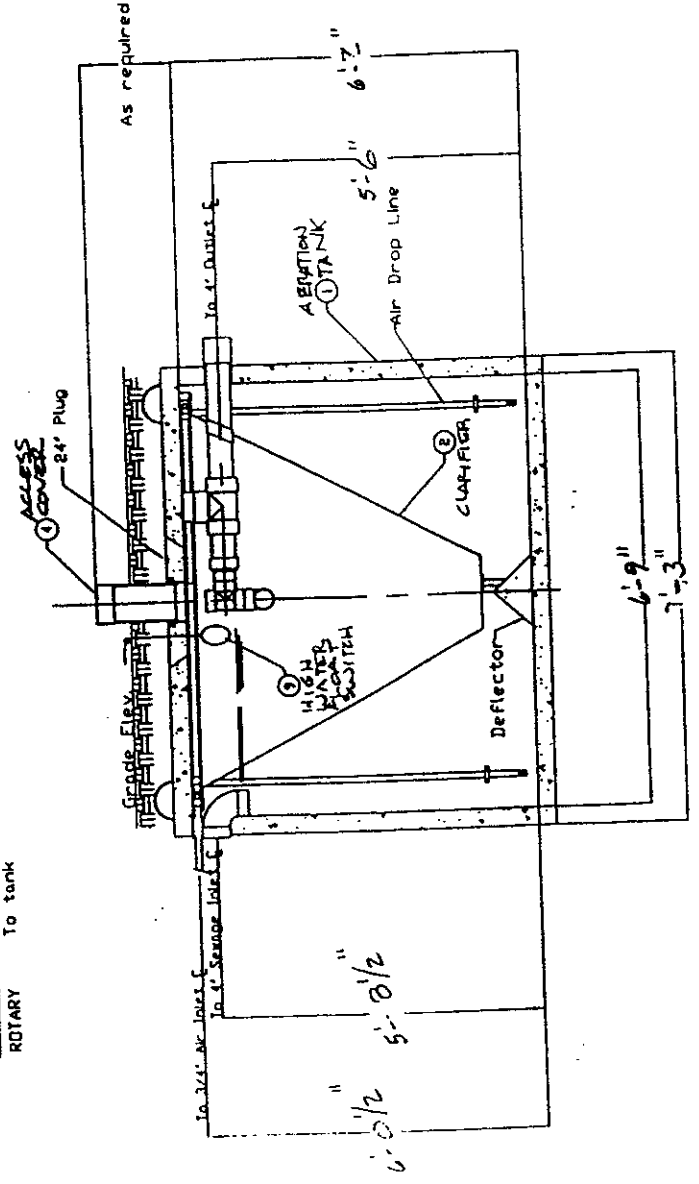
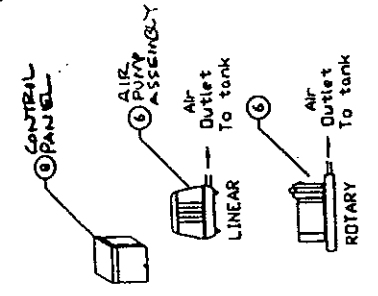
Lot 3

PAR

Note: See dimension sheet for number of air drops



Plan View  
(with cover removed)



Section A-A

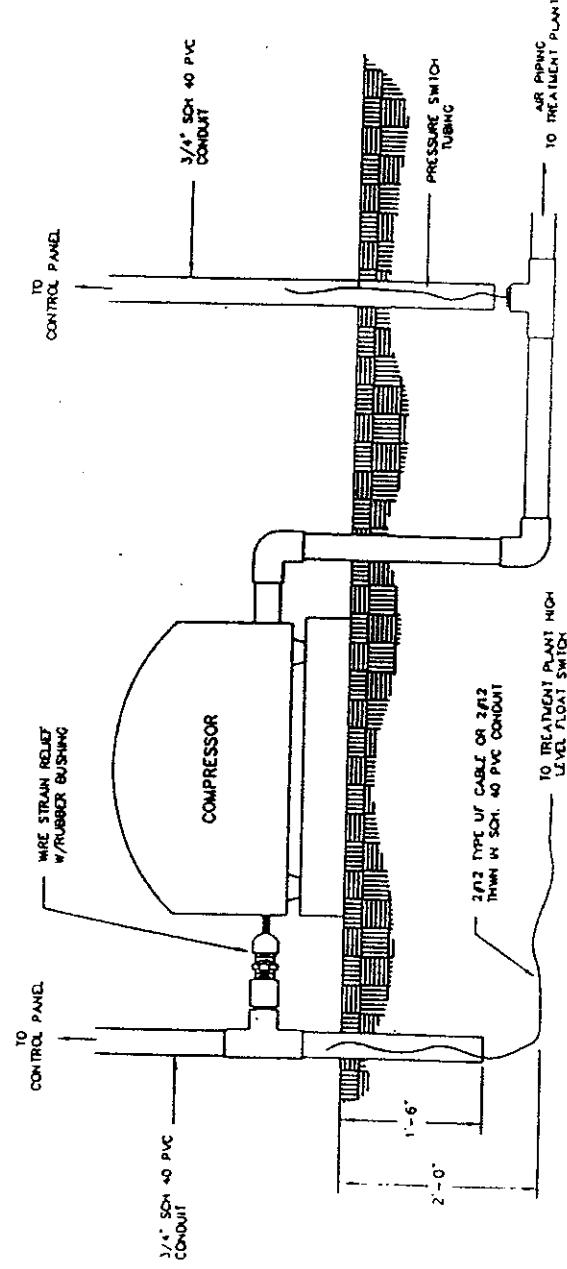
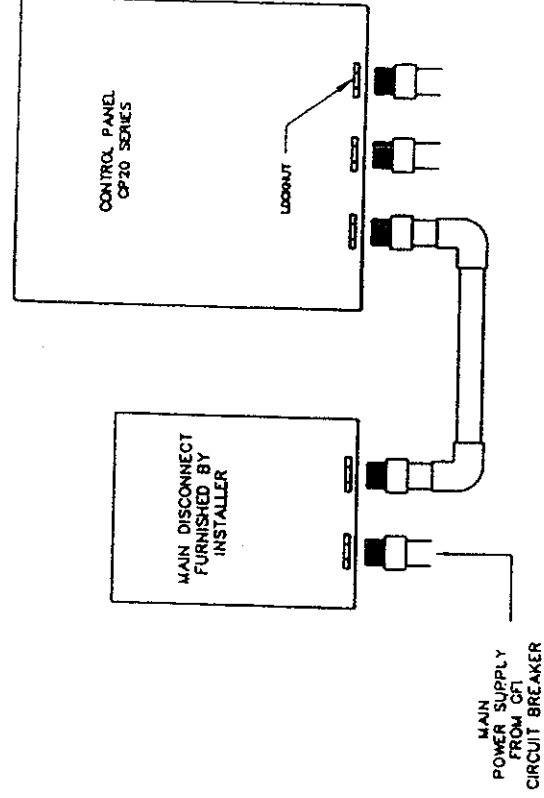
WATER AERobic TREATMENT INT DF 50 SHEET 4 of 10

Sewage Treatment Plant

KEN SIEGARD  
320425-001-001-00  
08 DEC 07

Lot 3

(KAS)



D F 50

SHEET 5 of 10

WHITEWATER AEROBIC TREATMENT UNIT

Control Panel Connections

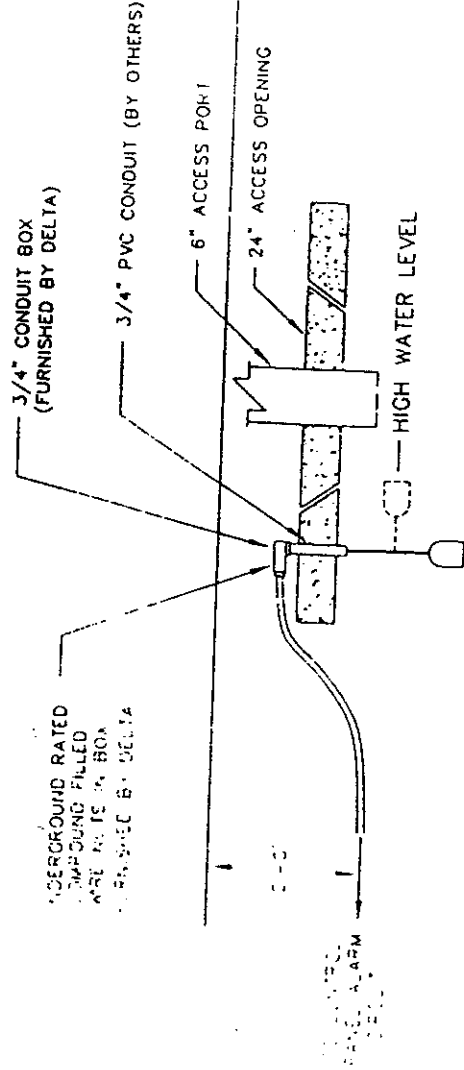
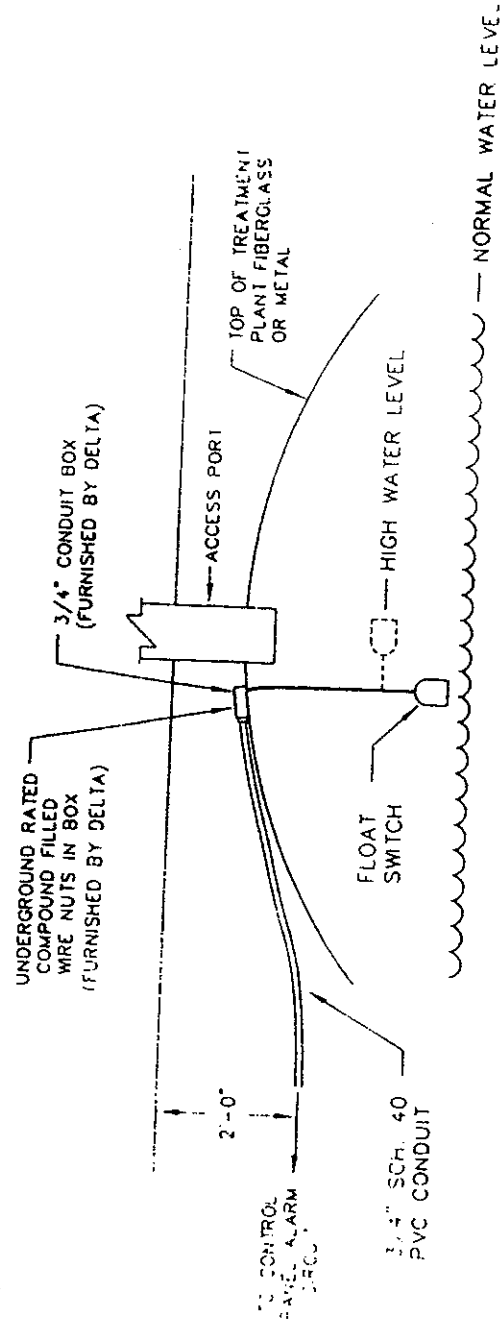
KEN SIEGFRID

Lot 3

320425 - 001 - 001 - 00

08DEC 07

(KAS)



ENTRANCE INTO CONCRETE TANK

1. CONDUIT TO BE SELECTED TO FIT AROUND CABLE AND IN ALL CASES CONTROL PANEL TO BE 1/2 GAUGE AND RATED FOR DIRECT BURIAL SERVICE TYPE OF TYPE FROM IN SCH. 40 PVC CONDUIT MAY BE USED

2. WIRE NUTS TO BE RATED FOR UNDERGROUND SERVICE IDEAL-OB PLUS MODEL 50 OR EQUAL.

3. FLOAT SWITCH TO BE NORMALLY OPEN MDI-AS10Y0500 OR EQUAL

4. SMALL ACCESS PORT SHOWN ON DRAWING LARGE ACCESS PORTS MAY BE SUPPLIED

5. MINIMUM AMOUNT OF CONDUIT SHOWN ABOVE IS REQUIRED EVEN WITH TYPE OF CABLE

DF 50 SHEET 6 OF 10

WHITEWATER AEROBIC TREATMENT UNIT

Float Switch  
Mounting

KEN SIEGFRIED

LOT 3

320425-001-001-00  
08 DEC 07

FS1 - FLOAT SWITCH IN TREATMENT PLANT  
 \* FUSE SIZE VARIES WITH COMPRESSOR SIZE  
 PER NATIONAL ELECTRIC CODE

FRONT VIEW  
 DOOR OPEN  
 CP20

WATER TREATMENT  
 AEROBIC UNIT DF 50

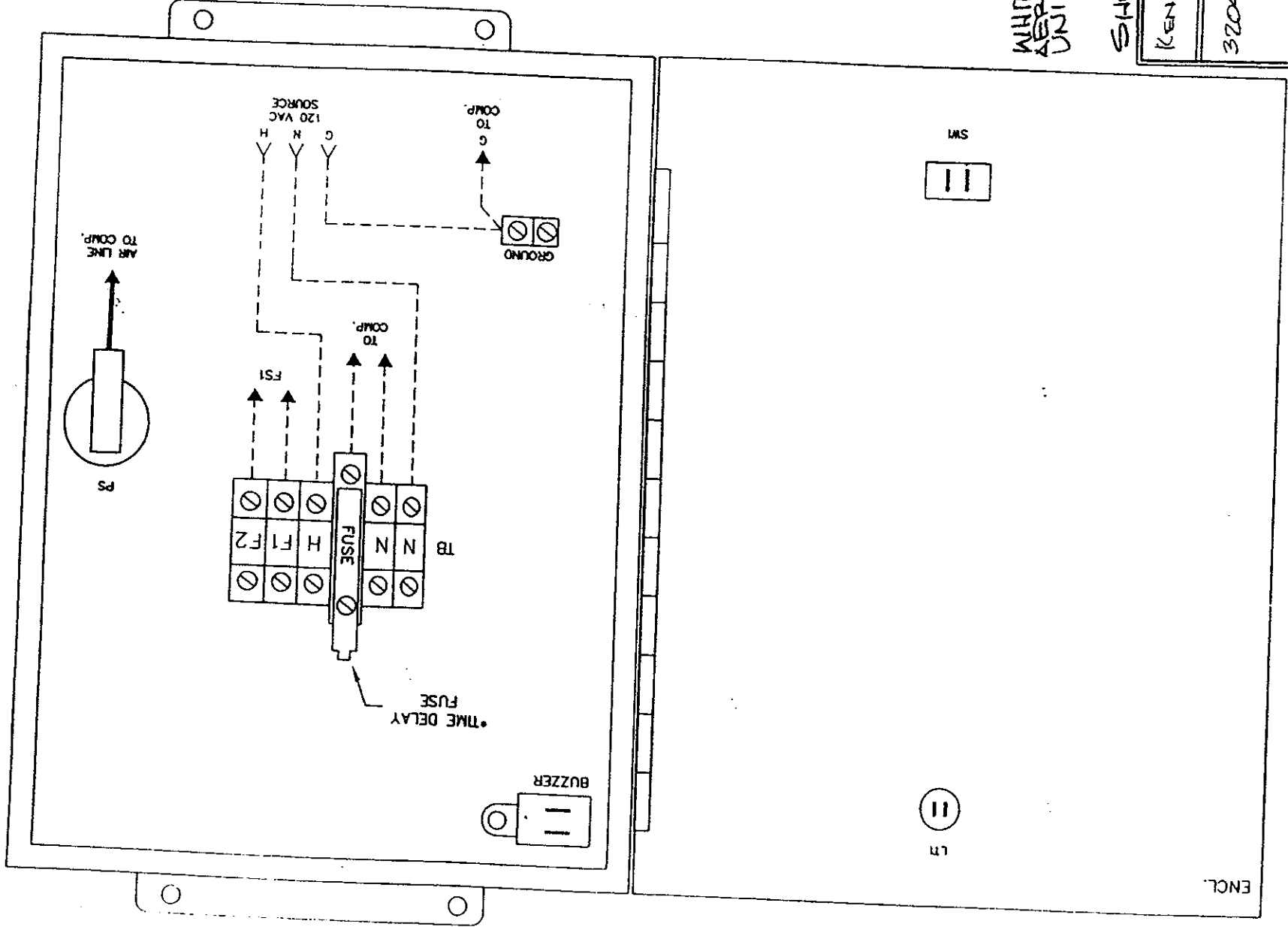
SHEET 7 of 10

KEN SIEGRIED

320425-001-001-00

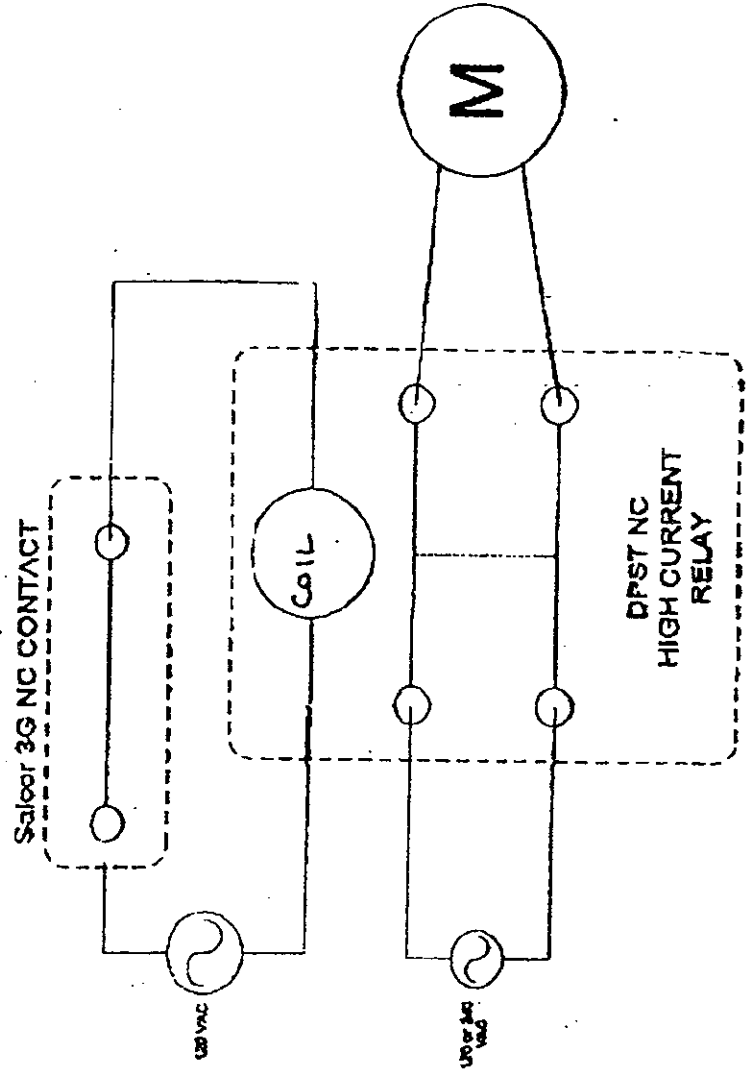
LOT 3

0224207



ENCL.

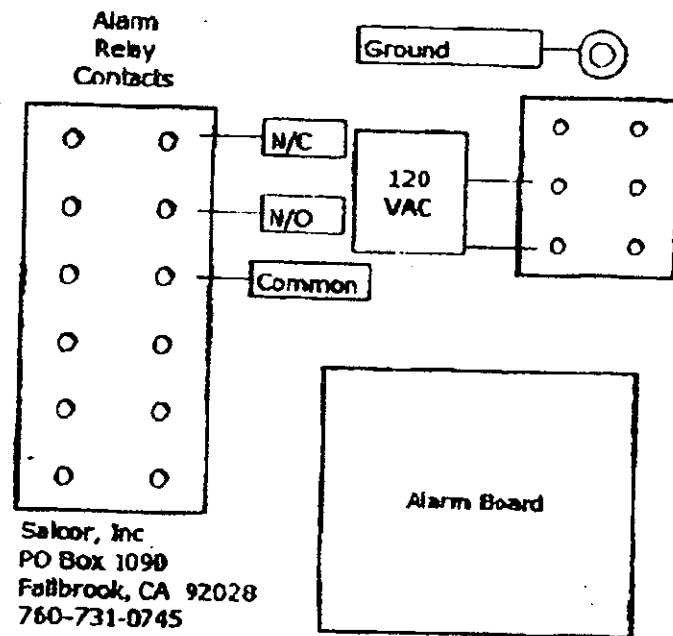
**Salcor Supplemental Alarm Wiring Diagram**  
*Pump Motor Shutdown in case of UV Alarm*

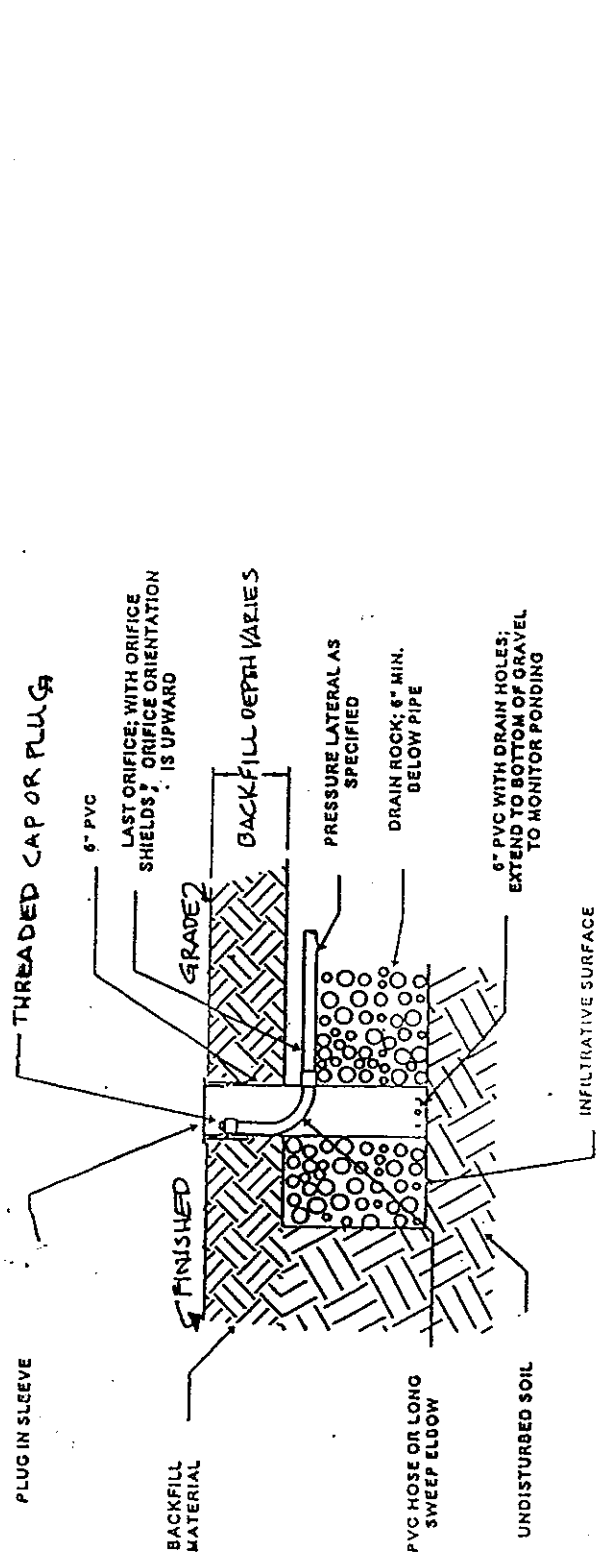


SHEET 8 of 10  
KEN SIEGFRIED  
320425-001-001-  
LOT 3  
-- (NAB)

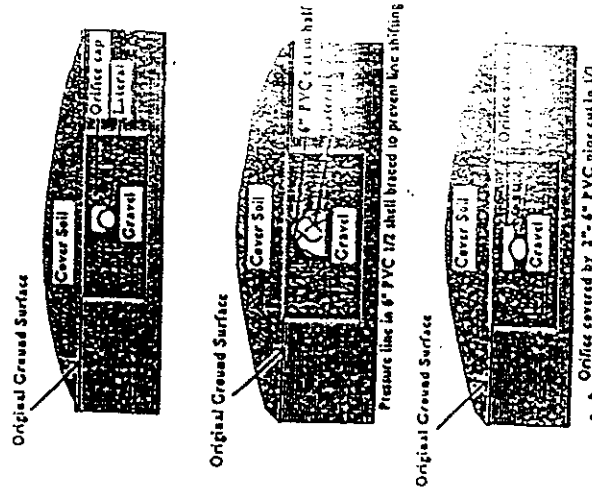
# Electrical Junction Box

SHEET 2 of 10  
KEN STEGFRIED  
320425-001-001-00  
Lot 3

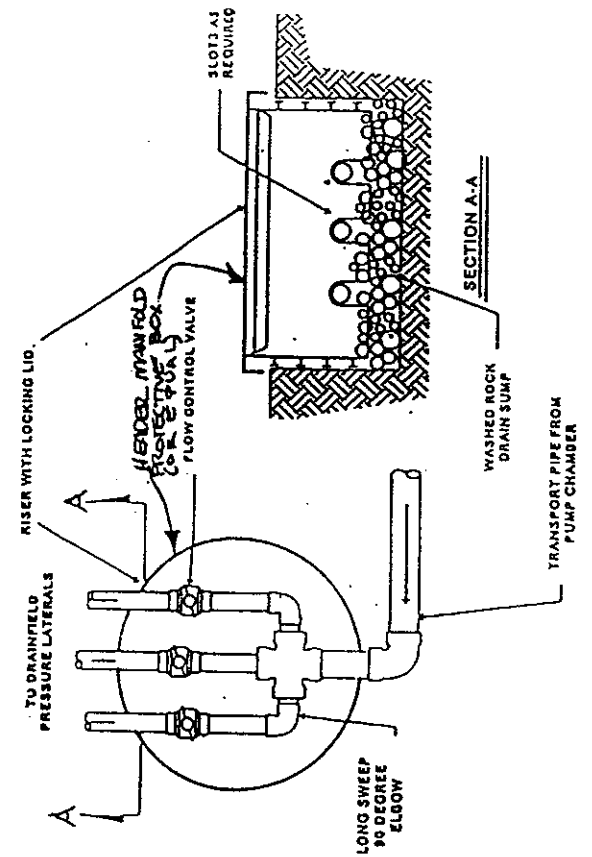




MONITORING/CLEANOUT PORT  
NOT TO SCALE



TYPICAL ORIFICE SHIELD/CAP DETAIL  
NOT TO SCALE



TYPICAL HEADER MANIFOLD DETAIL  
SLOPING GROUND: HEADER MAIN FOLD ABOVE LATERALS  
NOT TO SCALE

DETAIL SHEET  
SHEET 12 OF 10  
KEN SIEGFRIED  
320425-001-001-00  
LOT 3  
NOT TO SCALE



ENVIRONMENTAL HEALTH DIVISION  
Water & Wastewater Section  
3020 Rucker Avenue, Suite 104  
Everett, WA 98201-3900  
425.339.5250

**APPLICATION FOR AN INDIVIDUAL WATER SUPPLY SITE INSPECTION**

Property Tax Account Number 320425-001-001-00 Phone Number: 425-821-6725  
 Applicant's Name: Ken Siegfried  
 Property Location (address): 266th Pl. NE Arlington  
 Plat or Short Plat # Bryant Estates II Lot # 3

**Report is to be mailed to:**  
 Name: Ken Siegfried  
 Address: 9736 NE 119th Way Apt E621 City Kirkland Zip 98034

**Description of proposed/existing water supply:**

Type of Source:  Drilled Well  Dug Well  Other \_\_\_\_\_  
 Source:  To be Constructed  Existing \_\_\_\_\_

**See Reverse Side For Water Well Minimum Setback Information**

**Attach a sketch showing the following:**

1. First and, if practical, a second choice for well location. Give distances from well sites to at least three property lines or other permanent points of reference. R#1301 3:12 pm  
Clerk: Ken Siegfried Invoice# 300125961
2. One hundred (100) foot radius around the well. Sub-Total: 189.00  
Total: 189.00
3. Adjoining properties and associated development within 200 feet of well location.
4. Existing and proposed septic tanks, drainfields, reserve areas, and privies within 200 feet of well.
5. Existing and proposed buildings, roads, and all easements within 200 feet of well. Change: 0.00
6. Lakes, streams, and detention/retention ponds within 200 feet of well. 1 189.00
7. Existing and/or abandoned landfill properties within 1,000 feet of well.
8. Floodway and/or Floodplain areas (if applicable).

**Prepare the site by:** Flagging and labeling front property corners, trail to well site(s), and the well site(s). Date: 12/10/07

Signature of Applicant: \_\_\_\_\_ Date: \_\_\_\_\_  
 \_\_\_\_\_  
**FOR SHD USE ONLY**

**Application Approved**, in compliance with the criteria as outlined in the D.O.E. Guidelines.  
 SEE REVERSE SIDE AND ENCLOSED INFORMATION REGARDING AN APPROVED APPLICATION.

**Application Approval Expires On:** 12-22-11

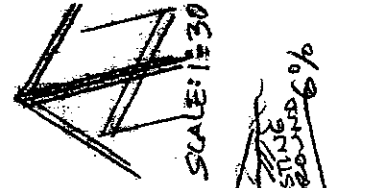
Approval of this application is based solely on information provided in this application and does not constitute a permit to begin construction. Construction of the well is subject to the Washington State Department of Ecology "Minimum Standards for Construction and Maintenance of Wells" Chapter 173-160 WAC. This approval shall NOT be considered an assurance, either expressed or implied, that development permits for this site will be issued.

**Application not in compliance** with the criteria as outlined in the D.O.E. Guidelines.

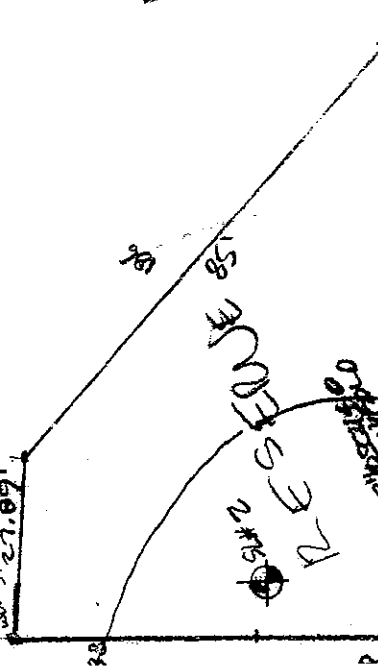
Comments: \_\_\_\_\_

Reviewed By: Bruce Mc Cormick Date: 12-22-08

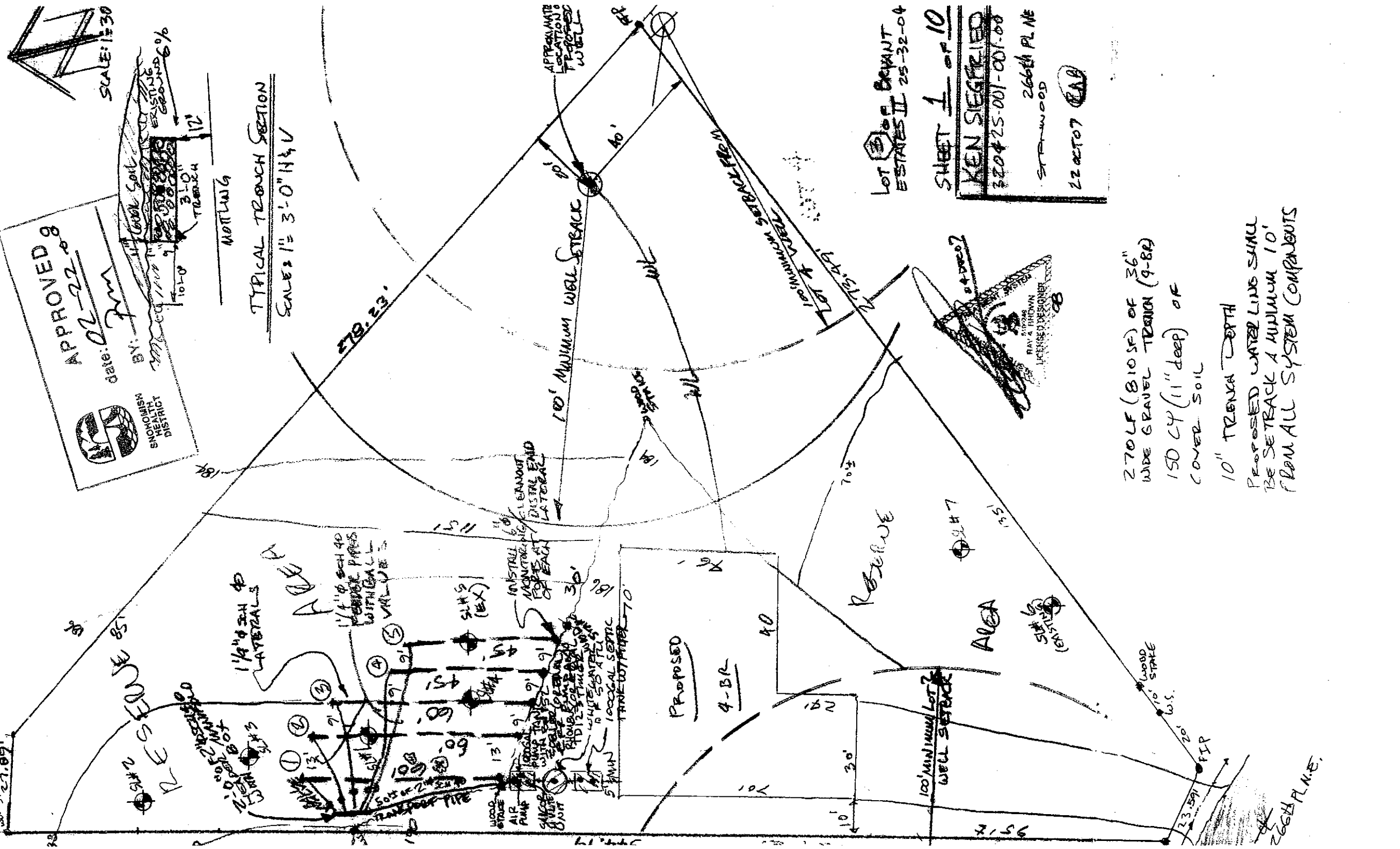
*Ken Siegfried*



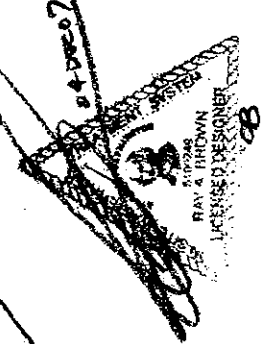
APPROVED 8  
 date: 02-22-08  
 BY: JRM  
 SNOWHILL DISTRICT



TYPICAL TRENCH SECTION  
 SCALE: 1" = 3'-0" N&V



LOT 5 of BRYANT  
 ESTATES II 25-32-04  
 SHEET 1 of 10  
 KEN SIEGELIED  
 2204 25-001-001-00  
 266th PL N.E.  
 STANWOOD  
 22 OCT 07



270 LF (810 SF) OF 36" WIDE GRAVEL TRENCH (9-BR)  
 150 CY (11" deep) OF COVER SOIL  
 10" TRENCH DEPTH  
 PROPOSED WATER LINES SHALL BE SETBACK A MINIMUM 10' FROM ALL SYSTEM COMPONENTS

266th PL N.E.